

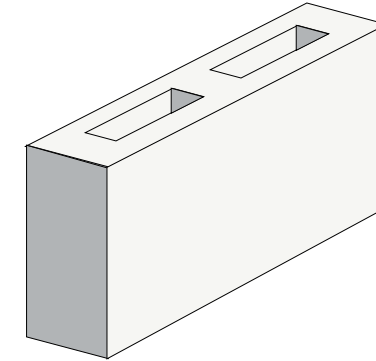
Product Details

range name	GB Honed
finish	Honed
colours	Porcelain, Pewter, Nickel, Limestone & Pebble
product code description	10.01 Standard

Properties and Specifications

actual dimensions (length x width x height mm)	390 × 90 × 190mm
core volume (% overall thickness)	<30
characteristic unconfined compressive strength (MPa)	>15
minimum shell thickness (mm)	25
average weight (KG)	11
units per tonne	90
number per pallet	180
number per sqm/lm	12.5
durability class (to AS4456.10 - sodium sulphate and sodium chloride)	Exposure Grade
wall mass inc mortar hollow	150
wall mass inc grouted solid	-
Light Reflectance Value (LRV)	Porcelain - 57.9 Pewter - 19.7 Nickel - 30.3, Limestone - 51.8 Pebble - 34

Diagram



Fire Resistance Levels^

structural adequacy (see notes)	60 to 240
integrity	60
insulation	60

Notes

Maximum slenderness ratio (srf) unreinforced masonry from AS3700:2018 Table 6.1 is:

18.0 at 60 minutes | 17.0 at 90 minutes

16.0 at 120 minutes | 15.5 at 180 minutes | 15.5 at 240 minutes

This data represents average results from production lots based on the results achieved by samples selected at random for testing. Figures are accurate at date of publication and subject to change without notice. Contact us for confirmation of product specification. Tested as per AS/NZS 4455.1: 2008 and 4456: 2003. Fire resistance levels as per AS3700: 2018. Acoustic opinion derived from Day Design Pty Ltd. 2012. Tested in accordance with AS 1191:1001 and AS/NZS 1276.1:1999.

^When reinforced and Srf <36: 240 minutes

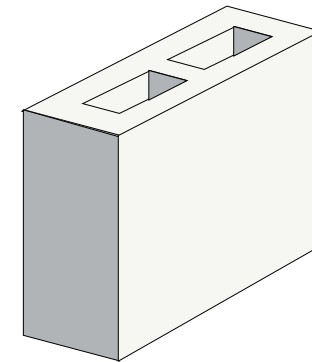
Product Details

range name	GB Honed
finish	Honed
colours	Porcelain, Pewter, Nickel, Limestone & Pebble
product code description	10.02 Three Quarter

Properties and Specifications

actual dimensions (length x width x height mm)	290 × 90 × 190mm
core volume (% overall thickness)	<30
characteristic unconfined compressive strength (MPa)	-
minimum shell thickness (mm)	-
average weight (KG)	7.5
units per tonne	133
number per pallet	240
number per sqm/lm	-
durability class (to AS4456.10 - sodium sulphate and sodium chloride)	Exposure Grade
wall mass inc mortar hollow	-
wall mass inc grouted solid	-
Light Reflectance Value (LRV)	Porcelain - 57.9 Pewter - 19.7 Nickel - 30.3, Limestone - 51.8 Pebble - 34

Diagram



Fire Resistance Levels^

structural adequacy (see notes)	60 to 240
integrity	60
insulation	60

Notes

Maximum slenderness ratio (srf) unreinforced masonry from AS3700:2018 Table 6.1 is:

18.0 at 60 minutes | 17.0 at 90 minutes

16.0 at 120 minutes | 15.5 at 180 minutes | 15.5 at 240 minutes

This data represents average results from production lots based on the results achieved by samples selected at random for testing. Figures are accurate at date of publication and subject to change without notice. Contact us for confirmation of product specification. Tested as per AS/NZS 4455.1: 2008 and 4456: 2003. Fire resistance levels as per AS3700: 2018. Acoustic opinion derived from Day Design Pty Ltd. 2012. Tested in accordance with AS 1191:1001 and AS/NZS 1276.1:1999.

^When reinforced and Srf <36: 240 minutes

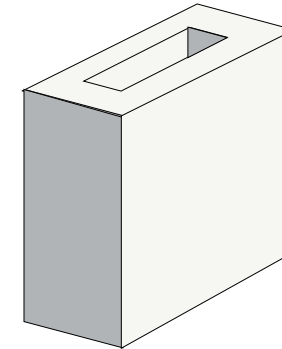
Product Details

range name	GB Honed
finish	Honed
colours	Porcelain, Pewter, Nickel, Limestone & Pebble
product code description	10.03 Half

Properties and Specifications

actual dimensions (length x width x height mm)	190 × 90 × 190mm
core volume (% overall thickness)	<30
characteristic unconfined compressive strength (MPa)	>15
minimum shell thickness (mm)	30
average weight (KG)	4.9
units per tonne	204
number per pallet	360
number per sqm/lm	25
durability class (to AS4456.10 - sodium sulphate and sodium chloride)	Exposure Grade
wall mass inc mortar hollow	-
wall mass inc grouted solid	-
Light Reflectance Value (LRV)	Porcelain - 57.9 Pewter - 19.7 Nickel - 30.3, Limestone - 51.8 Pebble - 34

Diagram



Fire Resistance Levels^

structural adequacy (see notes)	60 to 240
integrity	60
insulation	60

Notes

Maximum slenderness ratio (srf) unreinforced masonry from AS3700:2018 Table 6.1 is:

18.0 at 60 minutes | 17.0 at 90 minutes

16.0 at 120 minutes | 15.5 at 180 minutes | 15.5 at 240 minutes

This data represents average results from production lots based on the results achieved by samples selected at random for testing. Figures are accurate at date of publication and subject to change without notice. Contact us for confirmation of product specification. Tested as per AS/NZS 4455.1: 2008 and 4456: 2003. Fire resistance levels as per AS3700: 2018. Acoustic opinion derived from Day Design Pty Ltd. 2012. Tested in accordance with AS 1191:1001 and AS/NZS 1276.1:1999.

^When reinforced and Srf <36: 240 minutes

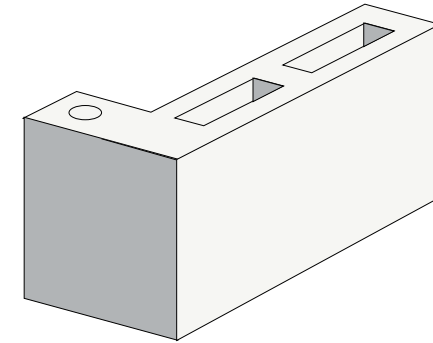
Product Details

range name	GB Honed
finish	Honed
colours	Porcelain, Pewter, Nickel, Limestone & Pebble
product code description	10.25 Corner Return

Properties and Specifications

actual dimensions (length x width x height mm)	390 × 90 × 190mm
core volume (% overall thickness)	<30
characteristic unconfined compressive strength (MPa)	-
minimum shell thickness (mm)	-
average weight (KG)	15.2
units per tonne	65.78
number per pallet	120
number per sqm/lm	-
durability class (to AS4456.10 - sodium sulphate and sodium chloride)	Exposure Grade
wall mass inc mortar hollow	-
wall mass inc grouted solid	-
Light Reflectance Value (LRV)	Porcelain - 57.9 Pewter - 19.7 Nickel - 30.3, Limestone - 51.8 Pebble - 34

Diagram



Fire Resistance Levels^

structural adequacy (see notes)	60 to 240
integrity	60
insulation	60

Notes

Maximum slenderness ratio (srf) unreinforced masonry from AS3700:2018 Table 6.1 is:

18.0 at 60 minutes | 17.0 at 90 minutes

16.0 at 120 minutes | 15.5 at 180 minutes | 15.5 at 240 minutes

This data represents average results from production lots based on the results achieved by samples selected at random for testing. Figures are accurate at date of publication and subject to change without notice. Contact us for confirmation of product specification. Tested as per AS/NZS 4455.1: 2008 and 4456: 2003. Fire resistance levels as per AS3700: 2018. Acoustic opinion derived from Day Design Pty Ltd. 2012. Tested in accordance with AS 1191:1001 and AS/NZS 1276.1:1999.

^When reinforced and Srf <36: 240 minutes

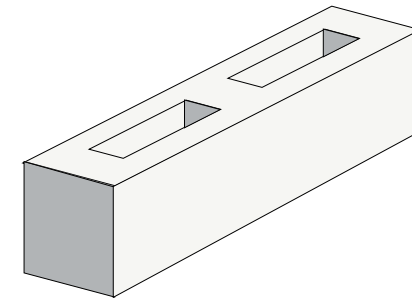
Product Details

range name	GB Honed
finish	Honed
colours	Porcelain, Pewter, Nickel, Limestone & Pebble
product code description	10.71 Standard Half Height

Properties and Specifications

actual dimensions (length x width x height mm)	390 × 90 × 90mm
core volume (% overall thickness)	28
characteristic unconfined compressive strength (MPa)	>15
minimum shell thickness (mm)	25
average weight (KG)	5.3
units per tonne	189
number per pallet	360
number per sqm/lm	25 or 2.5 per LM
durability class (to AS4456.10 - sodium sulphate and sodium chloride)	Exposure Grade
wall mass inc mortar hollow	147
wall mass inc grouted solid	-
Light Reflectance Value (LRV)	Porcelain - 57.9 Pewter - 19.7 Nickel - 30.3, Limestone - 51.8 Pebble - 34

Diagram



Fire Resistance Levels^

structural adequacy (see notes)	60 to 240
integrity	60
insulation	60

Notes

Maximum slenderness ratio (srf) unreinforced masonry from AS3700:2018 Table 6.1 is:

18.0 at 60 minutes | 17.0 at 90 minutes

16.0 at 120 minutes | 15.5 at 180 minutes | 15.5 at 240 minutes

This data represents average results from production lots based on the results achieved by samples selected at random for testing. Figures are accurate at date of publication and subject to change without notice. Contact us for confirmation of product specification. Tested as per AS/NZS 4455.1: 2008 and 4456: 2003. Fire resistance levels as per AS3700: 2018. Acoustic opinion derived from Day Design Pty Ltd. 2012. Tested in accordance with AS 1191:1001 and AS/NZS 1276.1:1999.

^When reinforced and Srf <36: 240 minutes

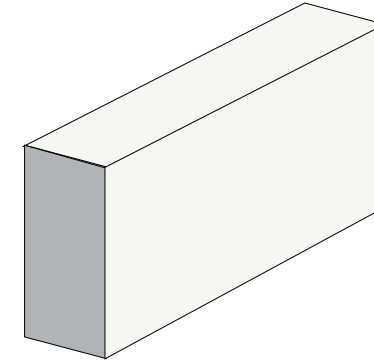
Product Details

range name	GB Honed
finish	Honed
colours	Porcelain, Pewter, Nickel, Limestone & Pebble
product code description	10.31 Standard Solid

Properties and Specifications

actual dimensions (length x width x height mm)	390 × 90 × 190mm
core volume (% overall thickness)	SOLID
characteristic unconfined compressive strength (MPa)	>12
minimum shell thickness (mm)	90
average weight (KG)	14.3
units per tonne	70
number per pallet	144
number per sqm/lm	12.5
durability class (to AS4456.10 - sodium sulphate and sodium chloride)	Exposure Grade
wall mass inc mortar hollow	-
wall mass inc grouted solid	-
Light Reflectance Value (LRV)	Porcelain - 57.9 Pewter - 19.7 Nickel - 30.3, Limestone - 51.8 Pebble - 34

Diagram



Fire Resistance Levels^

structural adequacy (see notes)	60 to 240
integrity	60
insulation	60

Notes

Maximum slenderness ratio (srf) unreinforced masonry from AS3700:2018 Table 6.1 is:

18.0 at 60 minutes | 17.0 at 90 minutes

16.0 at 120 minutes | 15.5 at 180 minutes | 15.5 at 240 minutes

This data represents average results from production lots based on the results achieved by samples selected at random for testing. Figures are accurate at date of publication and subject to change without notice. Contact us for confirmation of product specification. Tested as per AS/NZS 4455.1: 2008 and 4456: 2003. Fire resistance levels as per AS3700: 2018. Acoustic opinion derived from Day Design Pty Ltd. 2012. Tested in accordance with AS 1191:1001 and AS/NZS 1276.1:1999.

^When reinforced and Srf <36: 240 minutes

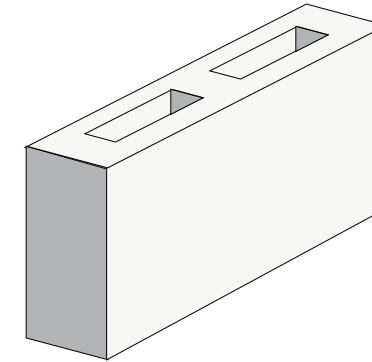
Product Details

range name	GB Honed
finish	Honed
colours	Porcelain, Pewter, Nickel, Limestone & Pebble
product code description	15.01 Standard

Properties and Specifications

actual dimensions (length x width x height mm)	390 × 140 × 190mm
core volume (% overall thickness)	42
characteristic unconfined compressive strength (MPa)	>15
minimum shell thickness (mm)	25
average weight (KG)	12
units per tonne	83
number per pallet	100
number per sqm/lm	12.5
durability class (to AS4456.10 - sodium sulphate and sodium chloride)	Exposure Grade
wall mass inc mortar hollow	157
wall mass inc grouted solid	297
Light Reflectance Value	Porcelain - 57.9 Pewter - 19.7 Nickel - 30.3, Limestone - 51.8 Pebble - 34

Diagram



Fire Resistance Levels^

structural adequacy (see notes)	60 to 240
integrity	60
insulation	60

Notes

Maximum slenderness ratio (srf) unreinforced masonry from AS3700:2018 Table 6.1 is:

18.0 at 60 minutes | 17.0 at 90 minutes

16.0 at 120 minutes | 15.5 at 180 minutes | 15.5 at 240 minutes

This data represents average results from production lots based on the results achieved by samples selected at random for testing. Figures are accurate at date of publication and subject to change without notice. Contact us for confirmation of product specification. Tested as per AS/NZS 4455.1: 2008 and 4456: 2003. Fire resistance levels as per AS3700: 2018. Acoustic opinion derived from Day Design Pty Ltd. 2012. Tested in accordance with AS 1191:1001 and AS/NZS 1276.1:1999.

^When reinforced and Srf <36: 240 minutes

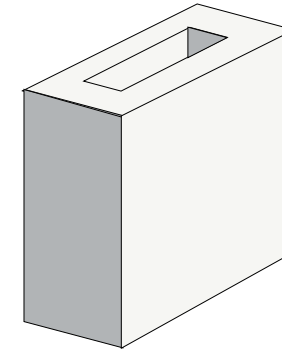
Product Details

range name	GB Honed
finish	Honed
colours	Porcelain, Pewter, Nickel, Limestone & Pebble
product code description	15.03 Half

Properties and Specifications

actual dimensions (length x width x height mm)	190 × 140 × 190mm
core volume (% overall thickness)	41
characteristic unconfined compressive strength (MPa)	>15
minimum shell thickness (mm)	30
average weight (KG)	7.7
units per tonne	130
number per pallet	240
number per sqm/lm	25
durability class (to AS4456.10 - sodium sulphate and sodium chloride)	Exposure Grade
wall mass inc mortar hollow	-
wall mass inc grouted solid	-
Light Reflectance Value	Porcelain - 57.9 Pewter - 19.7 Nickel - 30.3, Limestone - 51.8 Pebble - 34

Diagram



Fire Resistance Levels[^]

structural adequacy (see notes)	60 to 240
integrity	60
insulation	60

Notes

Maximum slenderness ratio (srf) unreinforced masonry from AS3700:2018 Table 6.1 is:

18.0 at 60 minutes | 17.0 at 90 minutes

16.0 at 120 minutes | 15.5 at 180 minutes | 15.5 at 240 minutes

This data represents average results from production lots based on the results achieved by samples selected at random for testing. Figures are accurate at date of publication and subject to change without notice. Contact us for confirmation of product specification. Tested as per AS/NZS 4455.1: 2008 and 4456: 2003. Fire resistance levels as per AS3700: 2018. Acoustic opinion derived from Day Design Pty Ltd. 2012. Tested in accordance with AS 1191:1001 and AS/NZS 1276.1:1999.

[^]When reinforced and Srf <36: 240 minutes

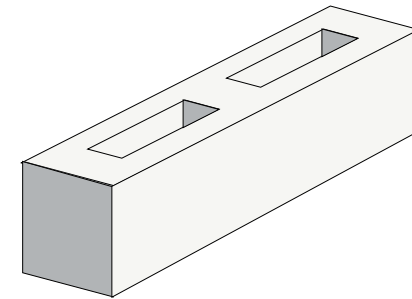
Product Details

range name	GB Honed
finish	Honed
colours	Porcelain, Pewter, Nickel, Limestone & Pebble
product code description	15.71 Standard Half Height

Properties and Specifications

actual dimensions (length x width x height mm)	390 × 140 × 90mm
core volume (% overall thickness)	44
characteristic unconfined compressive strength (MPa)	>15
minimum shell thickness (mm)	25
average weight (KG)	7.2
units per tonne	1140
number per pallet	240
number per sqm/lm	25 or 2.5 per LM
durability class (to AS4456.10 - sodium sulphate and sodium chloride)	Exposure Grade
wall mass inc mortar hollow	193
wall mass inc grouted solid	341
Light Reflectance Value	Porcelain - 57.9 Pewter - 19.7 Nickel - 30.3, Limestone - 51.8 Pebble - 34

Diagram



Fire Resistance Levels^

structural adequacy (see notes)	60 to 240
integrity	60
insulation	60

Notes

Maximum slenderness ratio (srf) unreinforced masonry from AS3700:2018 Table 6.1 is:

18.0 at 60 minutes | 17.0 at 90 minutes

16.0 at 120 minutes | 15.5 at 180 minutes | 15.5 at 240 minutes

This data represents average results from production lots based on the results achieved by samples selected at random for testing. Figures are accurate at date of publication and subject to change without notice. Contact us for confirmation of product specification. Tested as per AS/NZS 4455.1: 2008 and 4456: 2003. Fire resistance levels as per AS3700: 2018. Acoustic opinion derived from Day Design Pty Ltd. 2012. Tested in accordance with AS 1191:1001 and AS/NZS 1276.1:1999.

^When reinforced and Srf <36: 240 minutes

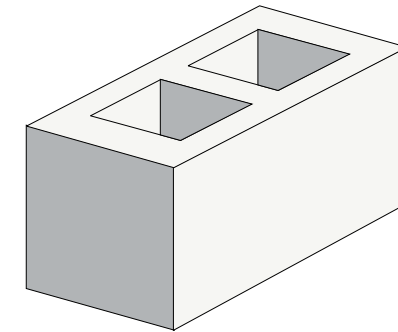
Product Details

range name	GB Honed
finish	Honed
colours	Porcelain, Pewter, Nickel, Limestone & Pebble
product code description	20.01 190mm Standard

Properties and Specifications

actual dimensions (length x width x height mm)	390 × 190 × 190mm
core volume (% overall thickness)	47
characteristic unconfined compressive strength (MPa)	>15
minimum shell thickness (mm)	30
average weight (KG)	15.6
units per tonne	64
number per pallet	90
number per sqm/lm	12.5
durability class (to AS4456.10 - sodium sulphate and sodium chloride)	Exposure Grade
wall mass inc mortar hollow	199
wall mass inc grouted solid	-
Light Reflectance Value (LRV)	Porcelain - 57.9 Pewter - 19.7 Nickel - 30.3, Limestone - 51.8 Pebble - 34

Diagram



Fire Resistance Levels^

structural adequacy (see notes)	60 to 240
integrity	60
insulation	60

Notes

Maximum slenderness ratio (srf) unreinforced masonry from AS3700:2018 Table 6.1 is:

18.0 at 60 minutes | 17.0 at 90 minutes

16.0 at 120 minutes | 15.5 at 180 minutes | 15.5 at 240 minutes

This data represents average results from production lots based on the results achieved by samples selected at random for testing. Figures are accurate at date of publication and subject to change without notice. Contact us for confirmation of product specification. Tested as per AS/NZS 4455.1: 2008 and 4456: 2003. Fire resistance levels as per AS3700: 2018. Acoustic opinion derived from Day Design Pty Ltd. 2012. Tested in accordance with AS 1191:1001 and AS/NZS 1276.1:1999.

^When reinforced and Srf <36: 240 minutes

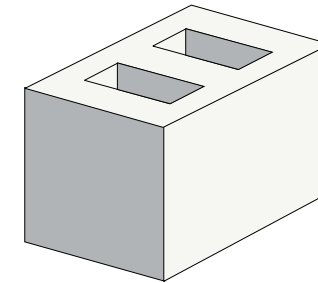
Product Details

range name	GB Honed
finish	Honed
colours	Porcelain, Pewter, Nickel, Limestone & Pebble
product code description	20.02 190mm Three Quarter

Properties and Specifications

actual dimensions (length x width x height mm)	290 × 190 × 190mm
core volume (% overall thickness)	48
characteristic unconfined compressive strength (MPa)	>15
minimum shell thickness (mm)	-
average weight (KG)	14.3
units per tonne	69
number per pallet	90
number per sqm/lm	-
durability class (to AS4456.10 - sodium sulphate and sodium chloride)	Exposure Grade
wall mass inc mortar hollow	-
wall mass inc grouted solid	-
Light Reflectance Value (LRV)	Porcelain - 57.9 Pewter - 19.7 Nickel - 30.3, Limestone - 51.8 Pebble - 34

Diagram



Fire Resistance Levels^

structural adequacy (see notes)	60 to 240
integrity	60
insulation	60

Notes

Maximum slenderness ratio (srf) unreinforced masonry from AS3700:2018 Table 6.1 is:

18.0 at 60 minutes | 17.0 at 90 minutes

16.0 at 120 minutes | 15.5 at 180 minutes | 15.5 at 240 minutes

This data represents average results from production lots based on the results achieved by samples selected at random for testing. Figures are accurate at date of publication and subject to change without notice. Contact us for confirmation of product specification. Tested as per AS/NZS 4455.1: 2008 and 4456: 2003. Fire resistance levels as per AS3700: 2018. Acoustic opinion derived from Day Design Pty Ltd. 2012. Tested in accordance with AS 1191:1001 and AS/NZS 1276.1:1999.

^When reinforced and Srf <36: 240 minutes

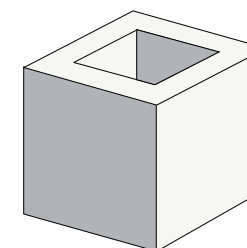
Product Details

range name	GB Honed
finish	Honed
colours	Porcelain, Pewter, Nickel, Limestone & Pebble
product code description	20.03 190mm Half

Properties and Specifications

actual dimensions (length x width x height mm)	190 × 190 × 190mm
core volume (% overall thickness)	>30
characteristic unconfined compressive strength (MPa)	>15
minimum shell thickness (mm)	30
average weight (KG)	8.7
units per tonne	115
number per pallet	180
number per sqm/lm	25
durability class (to AS4456.10 - sodium sulphate and sodium chloride)	Exposure Grade
wall mass inc mortar hollow	-
wall mass inc grouted solid	-
Light Reflectance Value (LRV)	Porcelain - 57.9 Pewter - 19.7 Nickel - 30.3, Limestone - 51.8 Pebble - 34

Diagram



Fire Resistance Levels^

structural adequacy (see notes)	60 to 240
integrity	60
insulation	60

Notes

Maximum slenderness ratio (srf) unreinforced masonry from AS3700:2018 Table 6.1 is:

18.0 at 60 minutes | 17.0 at 90 minutes

16.0 at 120 minutes | 15.5 at 180 minutes | 15.5 at 240 minutes

This data represents average results from production lots based on the results achieved by samples selected at random for testing. Figures are accurate at date of publication and subject to change without notice. Contact us for confirmation of product specification. Tested as per AS/NZS 4455.1: 2008 and 4456: 2003. Fire resistance levels as per AS3700: 2018. Acoustic opinion derived from Day Design Pty Ltd. 2012. Tested in accordance with AS 1191:1001 and AS/NZS 1276.1:1999.

^When reinforced and Srf <36: 240 minutes

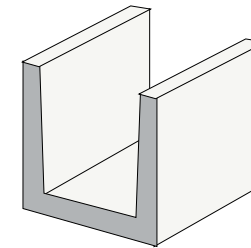
Product Details

range name	GB Honed
finish	Honed
colours	Porcelain, Pewter, Nickel, Limestone & Pebble
product code description	20.13 Half Lintel

Properties and Specifications

actual dimensions (length x width x height mm)	190 × 190 × 190mm
core volume (% overall thickness)	>30
characteristic unconfined compressive strength (MPa)	-
minimum shell thickness (mm)	-
average weight (KG)	16.7
units per tonne	59
number per pallet	180
number per sqm/lm	-
durability class (to AS4456.10 - sodium sulphate and sodium chloride)	Exposure Grade
wall mass inc mortar hollow	-
wall mass inc grouted solid	-
Light Reflectance Value (LRV)	Porcelain - 57.9 Pewter - 19.7 Nickel - 30.3, Limestone - 51.8 Pebble - 34

Diagram



Fire Resistance Levels^

structural adequacy (see notes)	60 to 240
integrity	60
insulation	60

Notes

Maximum slenderness ratio (srf) unreinforced masonry from AS3700:2018 Table 6.1 is:

18.0 at 60 minutes | 17.0 at 90 minutes

16.0 at 120 minutes | 15.5 at 180 minutes | 15.5 at 240 minutes

This data represents average results from production lots based on the results achieved by samples selected at random for testing. Figures are accurate at date of publication and subject to change without notice. Contact us for confirmation of product specification. Tested as per AS/NZS 4455.1: 2008 and 4456: 2003. Fire resistance levels as per AS3700: 2018. Acoustic opinion derived from Day Design Pty Ltd. 2012. Tested in accordance with AS 1191:1001 and AS/NZS 1276.1:1999.

^When reinforced and Srf <36: 240 minutes

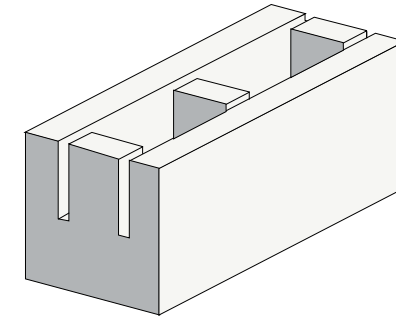
Product Details

range name	GB Honed
finish	Honed
colours	Porcelain, Pewter, Nickel, Limestone & Pebble
product code description	20.20 Knockout

Properties and Specifications

actual dimensions (length x width x height mm)	390 × 190 × 190mm
core volume (% overall thickness)	53
characteristic unconfined compressive strength (MPa)	>15
minimum shell thickness (mm)	30
average weight (KG)	12.7
units per tonne	79
number per pallet	90
number per sqm/lm	2.5 PER LM
durability class (to AS4456.10 - sodium sulphate and sodium chloride)	Exposure Grade
wall mass inc mortar hollow	168
wall mass inc grouted solid	-
Light Reflectance Value (LRV)	Porcelain - 57.9 Pewter - 19.7 Nickel - 30.3, Limestone - 51.8 Pebble - 34

Diagram



Fire Resistance Levels^

structural adequacy (see notes)	60 to 240
integrity	60
insulation	60

Notes

Maximum slenderness ratio (srf) unreinforced masonry from AS3700:2018 Table 6.1 is:

18.0 at 60 minutes | 17.0 at 90 minutes

16.0 at 120 minutes | 15.5 at 180 minutes | 15.5 at 240 minutes

This data represents average results from production lots based on the results achieved by samples selected at random for testing. Figures are accurate at date of publication and subject to change without notice. Contact us for confirmation of product specification. Tested as per AS/NZS 4455.1: 2008 and 4456: 2003. Fire resistance levels as per AS3700: 2018. Acoustic opinion derived from Day Design Pty Ltd. 2012. Tested in accordance with AS 1191:1001 and AS/NZS 1276.1:1999.

^When reinforced and Srf <36: 240 minutes

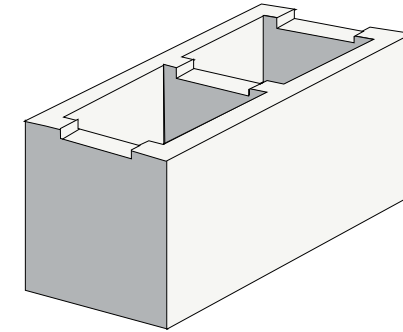
Product Details

range name	GB Honed
finish	Honed
colours	Porcelain, Pewter, Nickel, Limestone & Pebble
product code description	20.42 190mm Channel

Properties and Specifications

actual dimensions (length x width x height mm)	390 × 190 × 190mm
core volume (% overall thickness)	>30
characteristic unconfined compressive strength (MPa)	>15
minimum shell thickness (mm)	30
average weight (KG)	15
units per tonne	66
number per pallet	90
number per sqm/lm	12.5
durability class (to AS4456.10 - sodium sulphate and sodium chloride)	Exposure Grade
wall mass inc mortar hollow	204
wall mass inc grouted solid	-
Light Reflectance Value (LRV)	Porcelain - 57.9 Pewter - 19.7 Nickel - 30.3, Limestone - 51.8 Pebble - 34

Diagram



Fire Resistance Levels^

structural adequacy (see notes)	60 to 240
integrity	60
insulation	60

Notes

Maximum slenderness ratio (srf) unreinforced masonry from AS3700:2018 Table 6.1 is:

18.0 at 60 minutes | 17.0 at 90 minutes

16.0 at 120 minutes | 15.5 at 180 minutes | 15.5 at 240 minutes

This data represents average results from production lots based on the results achieved by samples selected at random for testing. Figures are accurate at date of publication and subject to change without notice. Contact us for confirmation of product specification. Tested as per AS/NZS 4455.1: 2008 and 4456: 2003. Fire resistance levels as per AS3700: 2018. Acoustic opinion derived from Day Design Pty Ltd. 2012. Tested in accordance with AS 1191:1001 and AS/NZS 1276.1:1999.

^When reinforced and Srf <36: 240 minutes

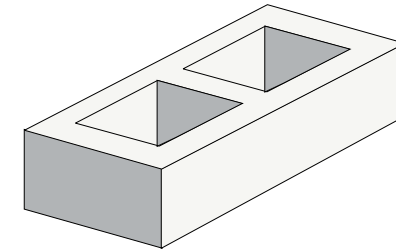
Product Details

range name	GB Honed
finish	Honed
colours	Porcelain, Pewter, Nickel, Limestone & Pebble
product code description	20.71 Standard Half Height

Properties and Specifications

actual dimensions (length x width x height mm)	390 x 190 x 90mm
core volume (% overall thickness)	47
characteristic unconfined compressive strength (MPa)	>15
minimum shell thickness (mm)	30
average weight (KG)	8
units per tonne	125
number per pallet	180
number per sqm/lm	25
durability class (to AS4456.10 - sodium sulphate and sodium chloride)	Exposure Grade
wall mass inc mortar hollow	215
wall mass inc grouted solid	-
Light Reflectance Value (LRV)	Porcelain - 57.9 Pewter - 19.7 Nickel - 30.3, Limestone - 51.8 Pebble - 34

Diagram



Fire Resistance Levels^

structural adequacy (see notes)	60 to 240
integrity	60
insulation	60

Notes

Maximum slenderness ratio (srf) unreinforced masonry from AS3700:2018 Table 6.1 is:

18.0 at 60 minutes | 17.0 at 90 minutes

16.0 at 120 minutes | 15.5 at 180 minutes | 15.5 at 240 minutes

This data represents average results from production lots based on the results achieved by samples selected at random for testing. Figures are accurate at date of publication and subject to change without notice. Contact us for confirmation of product specification. Tested as per AS/NZS 4455.1: 2008 and 4456: 2003. Fire resistance levels as per AS3700: 2018. Acoustic opinion derived from Day Design Pty Ltd. 2012. Tested in accordance with AS 1191:1001 and AS/NZS 1276.1:1999.

^When reinforced and Srf <36: 240 minutes

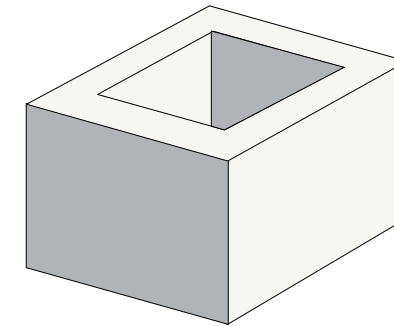
Product Details

range name	GB Honed
finish	Honed
colours	Porcelain, Pewter, Nickel, Limestone & Pebble
product code description	30.02 Three Quarter

Properties and Specifications

actual dimensions (length x width x height mm)	290 × 290 × 90mm
core volume (% overall thickness)	30
characteristic unconfined compressive strength (MPa)	-
minimum shell thickness (mm)	-
average weight (KG)	16.7
units per tonne	59
number per pallet	80
number per sqm/lm	-
durability class (to AS4456.10 - sodium sulphate and sodium chloride)	Exposure Grade
wall mass inc mortar hollow	-
wall mass inc grouted solid	-
Light Reflectance Value (LRV)	Porcelain - 57.9 Pewter - 19.7 Nickel - 30.3, Limestone - 51.8 Pebble - 34

Diagram



Fire Resistance Levels^

structural adequacy (see notes)	60 to 240
integrity	60
insulation	60

Notes

Maximum slenderness ratio (srf) unreinforced masonry from AS3700:2018 Table 6.1 is:

18.0 at 60 minutes | 17.0 at 90 minutes

16.0 at 120 minutes | 15.5 at 180 minutes | 15.5 at 240 minutes

This data represents average results from production lots based on the results achieved by samples selected at random for testing. Figures are accurate at date of publication and subject to change without notice. Contact us for confirmation of product specification. Tested as per AS/NZS 4455.1: 2008 and 4456: 2003. Fire resistance levels as per AS3700: 2018. Acoustic opinion derived from Day Design Pty Ltd. 2012. Tested in accordance with AS 1191:1001 and AS/NZS 1276.1:1999.

^When reinforced and Srf <36: 240 minutes

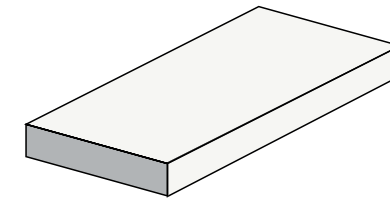
Product Details

range name	GB Honed
finish	Honed
colours	Porcelain, Pewter, Nickel, Limestone & Pebble
product code description	50.31 Capping tile

Properties and Specifications

actual dimensions (length x width x height mm)	390 × 190 × 40mm
core volume (% overall thickness)	-
characteristic unconfined compressive strength (MPa)	-
minimum shell thickness (mm)	-
average weight (KG)	6.1
units per tonne	163
number per pallet	288
number per sqm/lm	2.5/50
durability class (to AS4456.10 - sodium sulphate and sodium chloride)	Exposure Grade
wall mass inc mortar hollow	-
wall mass inc grouted solid	-
Light Reflectance Value (LRV)	Porcelain - 57.9 Pewter - 19.7 Nickel - 30.3, Limestone - 51.8 Pebble - 34

Diagram



Fire Resistance Levels^

structural adequacy (see notes)	60 to 240
integrity	60
insulation	60

Notes

Maximum slenderness ratio (srf) unreinforced masonry from AS3700:2018 Table 6.1 is:

18.0 at 60 minutes | 17.0 at 90 minutes

16.0 at 120 minutes | 15.5 at 180 minutes | 15.5 at 240 minutes

This data represents average results from production lots based on the results achieved by samples selected at random for testing. Figures are accurate at date of publication and subject to change without notice. Contact us for confirmation of product specification. Tested as per AS/NZS 4455.1: 2008 and 4456: 2003. Fire resistance levels as per AS3700: 2018. Acoustic opinion derived from Day Design Pty Ltd. 2012. Tested in accordance with AS 1191:1001 and AS/NZS 1276.1:1999.

^When reinforced and Srf <36: 240 minutes